

# UK

## Access Solutions Ltd

# ACCESS POCKET GUIDE

Issue 3



[www.ukaccessolutions.co.uk](http://www.ukaccessolutions.co.uk)

Tel: 0121 500 5055

**WE ALSO SUPPLY  
CONTRACT SCAFFOLDING  
ALLOY TOWERS**

## COMPANY SERVICES

### COMPANY HISTORY

UK Access Solutions Ltd can trace its trading roots to the early 1950's The company has been involved with some renowned PLC's (Interserve Plc, GKN Plc) who have invested considerable resources to help establish the company as it is today

### COMPANY SERVICES

UK Access Solutions Ltd is a market leader in the provision of Access Services to the Construction, Industrial and Maintenance markets. The access services that the company provides are:

#### ■ CONTRACT SCAFFOLDING

The company is one of the largest contracting scaffolding companies in the Midlands and Northwest. The company has the resources to undertake the largest projects in the region, together with a comprehensive engineering and safety resource. The company has invested substantially in scaffolding equipment over the years and now holds a multi-million £ stock of traditional and system scaffold equipment.

#### ■ POWERED ACCESS

The company has a comprehensive range of powered access equipment for hire. The range covers Booms and Scissor lifts in a variety of multi-fuel, 2 and 4 wheel drive.

#### ■ SCAFFOLDING HIRE AND SALES

The company offers a comprehensive range of traditional, system and alloy tower scaffolding equipment for hire and sale.

#### ■ ALLOY SCAFFOLD SYSTEMS

The company have a dedicated department offering alloy tower erection services to clients who need a speedy service for those smaller, 'quick turnaround' access situations, or where a lighter loading is important.

## Powered Access

### Scissor Lifts

Small Electric Scissor Lifts	3-7
Medium / Large Electric Scissor Lifts	8-14
Diesel Scissor Lifts	15-21

### Booms

Narrow Electric + Multi-Fuel Boom Lifts	22-26
Articulated Diesel Boom Lifts	27-31
Straight Diesel Boom Lifts	32-36

## Additional Services

Scaffolding	37
Aluminium Towers	38
Scaffold Equipment - Hire & Sales	39
Conversion Table	40

# Small Electric Scissor Lifts

## Compact Dimensions

Suitable for narrow aisle working, will drive through standard doorways and low weight enables transportation in some elevators.

## Extending Decks

A 1m deck extension gives added platform area for operatives.

## Non-Marking Tyres

Protects floor coverings and eliminates the need for wheel covers.

## Impressive Duty Cycles

Up to three times more efficient than some competing machines. Keeps the machine working longer for increased productivity.

## Quiet Operation

Noise levels are kept to a minimum allowing operation in enclosed areas.

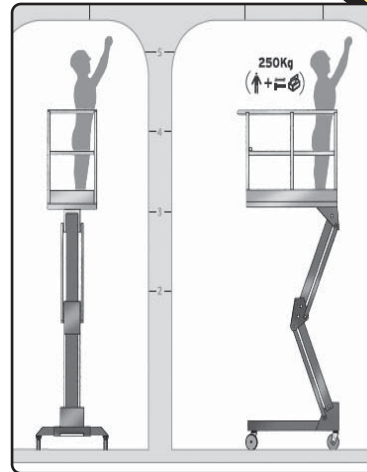
## Direct Electric Drive (certain models)

Provides the operator with better control and improves run-times of the machine.

## Environmentally Acceptable

Electric machines have zero emissions and are therefore suitable for indoor use or areas where pollution levels are strictly measured.

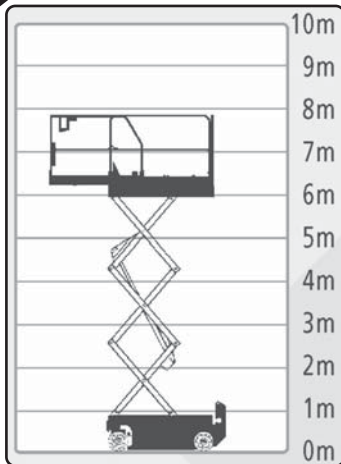
# Power Tower Small Electric Scissor Lifts



Working Height	5.10m
Platform Height	3.10m
Platform Size	1.52m x 0.65m
Platform Capacity (max)	565kg
Closed Length	1.52m
Closed Width	0.78m
Closed Height	1.92m
Weight	312kg

# Genie-GS 1930

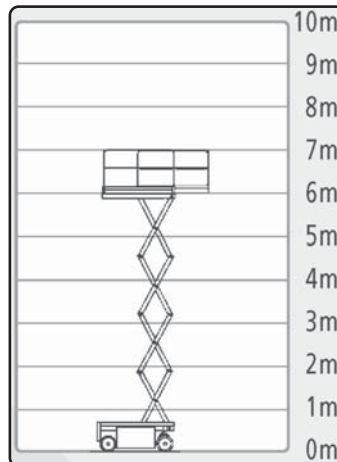
Small Electric  
Scissor Lifts



Working Height	7.6m
Platform Height	5.8m
Platform Size	0.76m x 1.83m
Platform Capacity (max)	227kg
Platform Length	1.83m
Stowed Height	2.0m
Stowed with rails Folded	98cm
Overall Length Deck Extended	2.62m
Overall Width	0.76m
Gross Weight	1344kg
Drive Speed	4.0km/h

# JLG - 1932

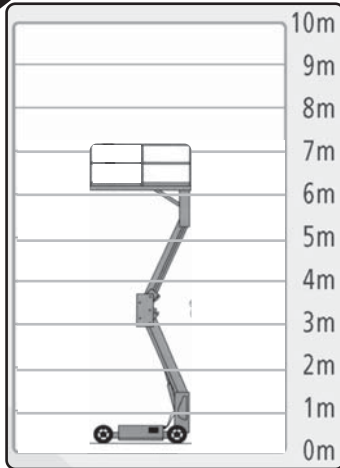
Small Electric  
Scissor Lifts



Working Height	7.62m
Platform Height	5.79m
Platform Size	0.76m x 1.63m
Platform Capacity (max)	230kg
Platform Length	1.83m
Stowed Height	2.12m
Stowed with rails Folded	1.02m
Overall Length Deck Extended	2.54m
Overall Width	0.83m
Gross Weight	1188kg
Drive Speed	3.8km/h

# Upright - SL20

Small Electric  
Scissor Lifts



Working Height	8.1m
Platform Height	6.1m
Platform Size	0.74m x 2.51m
Platform Capacity (max)	340kg
Platform Length	2.62m
Stowed Height	2.01m
Overall Length Deck Extended	3.35m
Overall Width	0.84m
Gross Weight	1405kg
Drive Speed	3.70km/h

# Medium/ Large Electric Scissor Lifts

## Flexible Platforms

Fold-down guardrails allow the machines to gain access in low height areas and allow for easy storage.

## Extending Decks

A 1m deck extension gives added platform area for operatives.

## Non Marking / Solid Rubber Tyres

Puncture-proof tyres ensure minimum downtime keeping productivity levels high. Some models have non marking tyres.

## Impressive Duty Cycles

Up to three times more efficient than some competing machines. Keeps the machine working longer for increased productivity.

## Quiet Operation

Noise levels are kept to a minimum allowing operation in enclosed areas.

## Direct Electric Drive

Provides the operator with better control and improves run times of the machine.

## Environmentally Acceptable

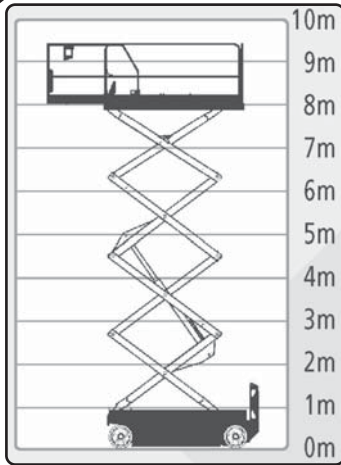
Electric machines have zero emissions and are therefore suitable for indoor use or areas where pollution levels are strictly measured.

## Moveable Control Box

Operators can move the control box around the platform keeping movement flexible and uninterrupted.

# Genie - GS 2632

Medium/Large Electric  
Scissor Lifts

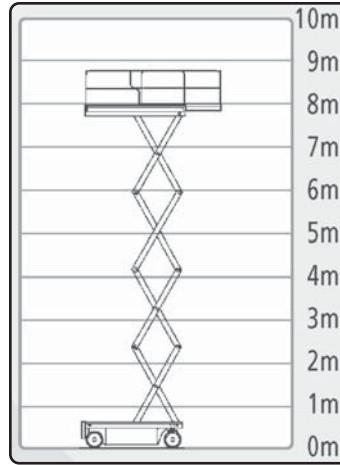


Working Height	9.92m
Platform Height	7.92m
Platform Size	0.81m x 2.26m
Platform Capacity	227kg
Platform Length	2.26m
Stowed Height	2.26m
Stowed with rails Folded	1.91m
Overall Length Deck Extended	3.18m
Overall Width	0.81m
Gross Weight	2002kg
Drive Speed	3.5km/h

PAGE 9

# JLG - 2646

Medium/Large Electric  
Scissor Lifts

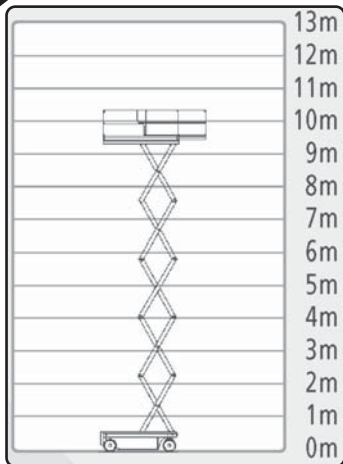


Working Height	9.75m
Platform Height	7.92m
Platform Size	1.17m x 2.51m
Platform Capacity	340kg
Platform Length	2.39m
Stowed Height	2.24m
Stowed with rails Folded	1.94m
Overall Length Deck Extended	3.30m
Overall Width	1.17m
Gross Weight	2350kg
Drive Speed	3.62km/h

PAGE 10

# JLG - 3246

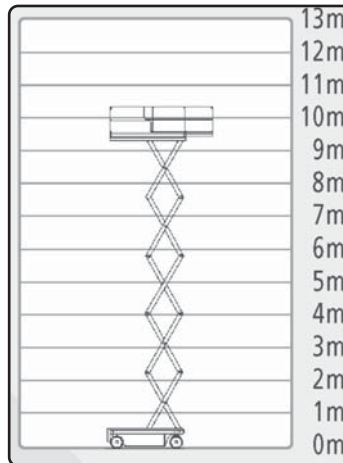
Medium/Large Electric  
Scissor Lifts



Working Height	11.58
Platform Height	9.68m
Platform Size	1.12m x 2.50m
Platform Capacity	320kg
Platform Length	1.27m
Stowed Height	-
Stowed with rails Folded	1.94m
Overall Length Deck Extended	2.50m
Overall Width	1.17m
Gross Weight	2725kg
Drive Speed	4.0km/h

# Upright - X32

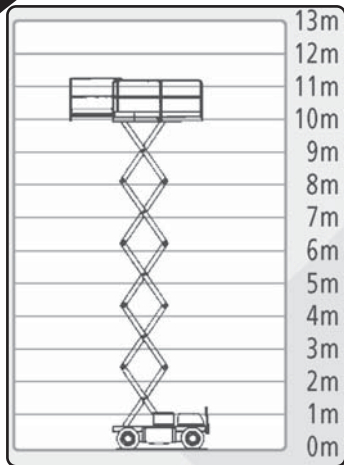
Medium/Large Electric  
Scissor Lifts



Working Height	11.8m
Platform Height	9.8m
Platform Size	1.17m x 2.21m
Platform Capacity	317kg
Platform Length	2.5m
Stowed Height	2.26m
Stowed with rails Folded	1.21m
Overall Length Deck Extended	3.26m
Overall Width	1.22m
Gross Weight	2531kg
Drive Speed	3.7km/h

# JLG - 3369

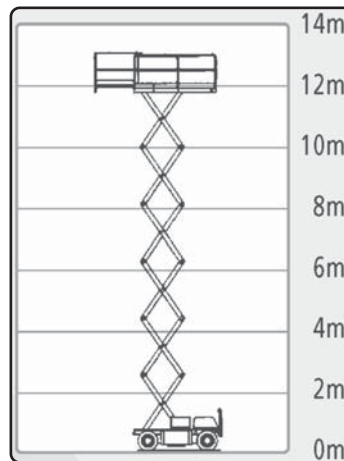
Medium/Large Electric  
Scissor Lifts



Working Height	11.89m
Platform Height	10.06m
Platform Size	1.55m x 2.69m
Platform Capacity	455kg
Platform Length	1.55m
Stowed Height	2.61m
Stowed with rails Folded	1.85m
Overall Length Deck Extended	2.78m
Overall Width	1.80m
Gross Weight	3680kg
Drive Speed	4.8km/h

# JLG M4069

Medium/Large Electric  
Scissor Lifts  
with diesel  
generator



Working Height	14.02m
Platform Height	12.19m
Platform Size	1.65m x 2.92m
Platform Capacity	360kg
Platform Length	3.10m
Stowed Height	-
Stowed with rails Folded	2.01m
Overall Length Deck Extended	4.01m
Overall Width	1.75m
Gross Weight	5700kg
Drive Speed	5.6km/h



# Diesel Scissor Lifts

## Proportional Controls

Proportional drive controls gives smoother operation and more precise positioning at the worksite.

## Extending Decks

Deck extensions on some diesel scissors provides additional working space for operators and materials.

## Multiple Deck Sizes

Double extending decks will allow greater deck area for multiple workers and materials.

## Terrainability

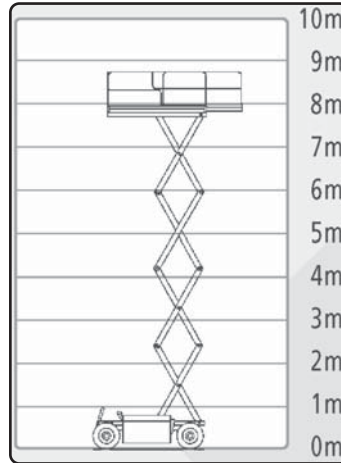
Rough terrain machines with four-wheel drive allow for excellent performance levels on uneven ground.

## Levelling Outriggers

Fitted as standard on Large scissor lifts. Increases stability when working on uneven ground giving operator stability and reassurance.

# JLG - 260MRT

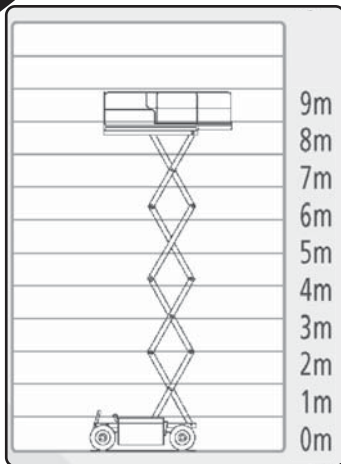
## Diesel Scissor Lifts



Working Height	9.75m
Platform Height	7.92m
Platform Size	1.65m x 2.59m
Platform Capacity	570kg
Platform Length	2.59m
Stowed Height	2.37m
Stowed with rails Folded	1.47m
Overall Length Deck Extended	3.81m
Overall Width	1.75m
Gross Weight	3221kg
Drive Speed	5.6km/h

# Genie - GS 2668

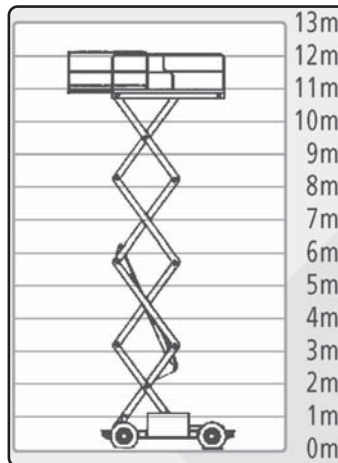
Diesel Scissor Lifts



Working Height	9.92m
Platform Height	7.92m
Platform Size	1.55m x 2.51m
Platform Capacity	567kg
Platform Length	2.51m
Stowed Height	2.32m
Stowed with rails Folded	1.70m
Overall Length Deck Extended	3.96m
Overall Width	1.73m
Gross Weight	2891kg
Drive Speed	6.1km/h

# JLG - 33RTS

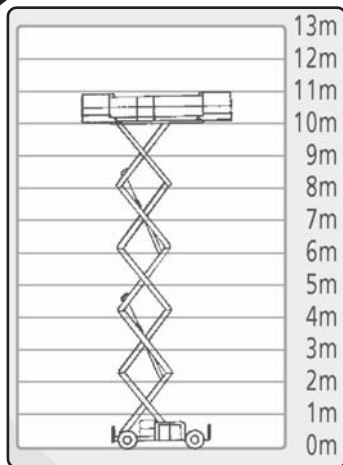
Diesel Scissor Lifts



Working Height	11.89m
Platform Height	10.06m
Platform Size	1.80m x 3.20m
Platform Capacity	680kg
Platform Length	3.20m
Stowed Height	-
Stowed with rails Folded	2.29m
Overall Length Deck Extended	4.43m
Overall Width	2.29m
Gross Weight	4170kg
Drive Speed	5.6km/h

# JLG - 3394RT

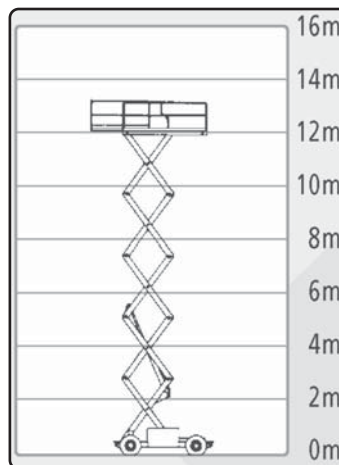
Diesel Scissor Lifts



Working Height	11.89m
Platform Height	10.06m
Platform Size	2.18m x 3.81m
Platform Capacity	1070kg
Platform with Deck Extended	6.25m
Stowed Height	2.67
Stowed with rails Folded	1.97m
Overall Length	3.83m
Overall Width	2.39m
Gross Weight	5850kg
Drive Speed	-

# JLG - 40RTS

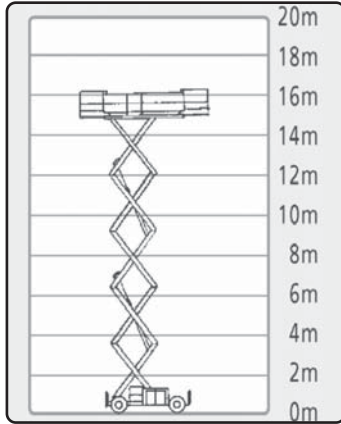
Diesel Scissor Lifts



Working Height	14.02m
Platform Height	12.19m
Platform Size	1.80m x 3.20m
Platform Capacity	454kg
Platform Length	3.20m
Stowed Height	-
Stowed with rails Folded	1.73m
Overall Length Deck Extended	4.42m
Overall Width	2.29m
Gross Weight	4500kg
Drive Speed	5.6km/h

# JLG - 500RTS

## Diesel Scissor Lifts



Working Height	17.07m
Platform Height	15.24m
Platform Size	1.80m x 4.27m
Platform Capacity	1134kg
Platform Length	4.27m
Stowed Height	3.13m
Stowed with rails Folded	2.03m
Overall Length Deck Extended	5.50m
Overall Width	2.29m
Gross Weight	8200kg
Drive Speed	5.6km/h

# Narrow Electric + Multi-Fuel Boom Lifts

## Narrow Width

At only 1.22m to 1.99m wide, these booms can provide access to narrow areas increasing utilisation.

## Full Proportional Controls

Smooth proportional drive controls give ease of operation for acceleration, deceleration and for exact positioning.

## Direct Electric Drive (certain models)

Provides the operator with better control and improves run-times of the machine.

## Impressive Duty Cycles

Up to three times more efficient than some competing machines.

## Vertical Jib

A near vertical jib available on some models gives flexibility at height with improved positioning.

## Solid Rubber Tyres

Puncture proof solid rubber tyres are non marking on floors.

## Quiet Operation

Noise levels are kept to a minimum allowing operation in enclosed or noise sensitive environments.

## Environmentally Acceptable

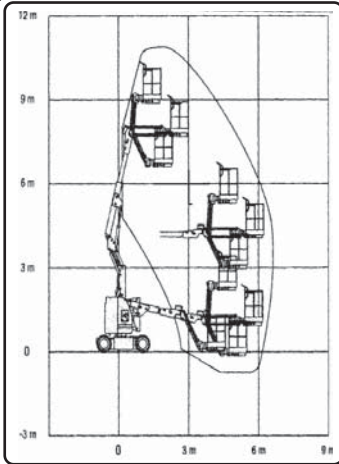
Zero emissions provide for clean air working suitable indoor use or areas where pollution levels are strictly measured, such as city locations.

## Multi-Fuel Boom Lifts

Offers the options of running the machine on diesel or electric.

# JLG - E300AJP

Narrow Electric  
Boom Lifts

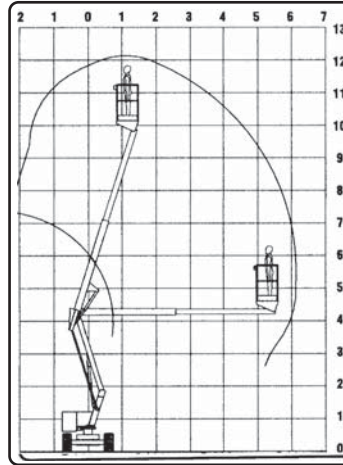


Working Height	10.97m
Platform Height	9.14m
Platform Size	0.76m x 1.22m
Platform Capacity	230kg
Stowed Height	2.00m
Overall Length	5.59m
Overall Width	1.22m
Gross Weight	7052kg
Drive Speed	4.8km/h

PAGE 23

# NIFTYLIFT-HR12N

Narrow Multi-Fuel  
Boom Lifts

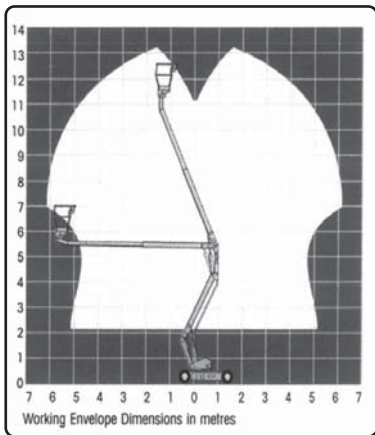


Working Height	12.20m
Platform Height	10.20m
Platform Size	1.10m x 0.65m
Platform Capacity	200kg
Stowed Height	1.90m
Overall Length	4.10m
Overall Width	1.50m
Gross Weight	3060kg
Drive Speed	2.1mph

PAGE 24

# Upright - AB38

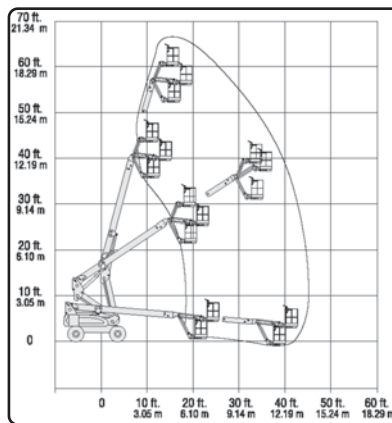
Electric Boom Lifts



Working Height	13.50m
Platform Height	11.45m
Platform Size	1.03m x 0.55m
Platform Capacity	215kg
Stowed Height	1.99m
Overall Length	4.04m
Overall Width	1.50m
Gross Weight	3550kg
Drive Speed	4.0km/h

# JLG M600 JP

Multi-Fuel  
Boom Lifts



Working Height	20.12m
Platform Height	18.29m
Platform Size	0.76m x 1.83m
Platform Capacity	230kg
Stowed Height	2.57m
Overall Length	9.91m
Overall Width	2.44m
Gross Weight	6895kg
Drive Speed	4.8km/h

# Articulating Diesel Boom Lifts

## Full Proportional Controls

Full proportional controls give ease of operation for smooth acceleration, deceleration and for exact positioning. Ideal when working in confined areas.

## Articulating Jib

Provides increased up and over positioning capability in the elevated work position.

## 180 degree Rotation

The boom can be rotated to 180 degrees without the need for repositioning saving operator time and effort.

## Foam Filled Tyres (Certain Models)

Puncture proof foam filled tyres with rough terrain capability keep downtime to a minimum.

## Oscillating Axle (Certain Models)

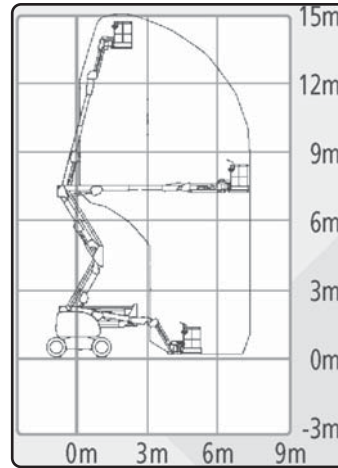
Improves balance and allows the machine to cope easily with curbs and uneven ground.

## Terrainability

More than half of the fleet have four wheel drive for improved performance on rough and uneven ground.

# JLG - 450AJ

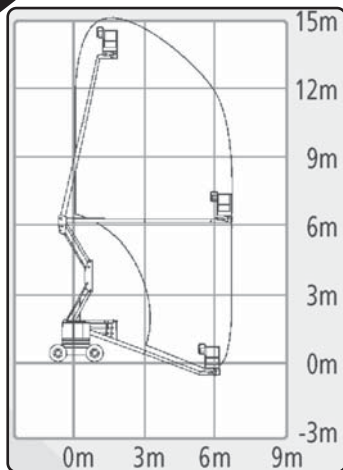
## Articulating Diesel Boom Lifts



Working Height	15.54m
Platform Height	13.72m
Platform Size	0.76m x 1.83m
Platform Capacity	230kg
Stowed Height	2.24m
Overall Length	6.71m
Overall Width	1.98m
Gross Weight	7242kg
Drive Speed	7.2km/h

# Genie - Z45/25J

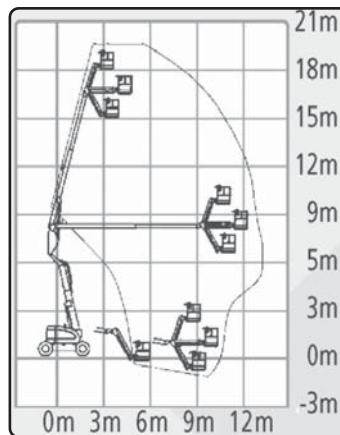
Articulating Diesel  
Boom Lifts



Working Height	15.69m
Platform Height	13.86m
Platform Size	0.76m x 1.83m
Platform Capacity	227kg
Stowed Height	2.08m
Overall Length	6.78m
Overall Width	2.23m
Gross Weight	6668kg
Drive Speed	7.72km/h

# JLG - 600AJ

Articulating Diesel  
Boom Lifts

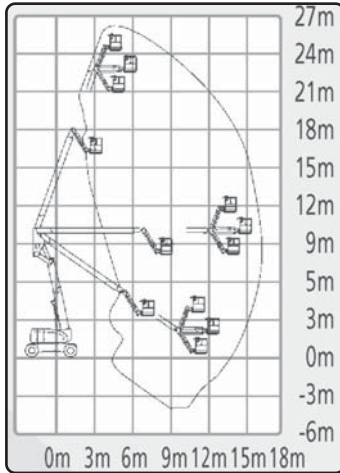


Working Height	20.12m
Platform Height	18.29m
Platform Size	0.91m x 1.83m
Platform Capacity	230kg
Stowed Height	2.56m
Overall Length	8.82m
Overall Width	2.44m
Gross Weight	10650kg
Drive Speed	5.6km/h



# JLG - 800AJ

## Articulating Diesel Boom Lifts



Working Height	26.12m
Platform Height	24.38m
Platform Size	0.91m x 1.83m
Platform Capacity	230kg
Stowed Height	3.00m
Overall Length	11.12m
Overall Width	2.44m
Gross Weight	15030kg
Drive Speed	4.8km/h

# Straight Diesel Boom Lifts

## Full Proportional Controls

Full proportional controls give ease of operation for smooth acceleration, deceleration and for exact positioning. Ideal when working in confined areas.

## 180 degree Rotation

The boom can be rotated to 180 degrees without the need for repositioning saving operator time and effort.

## Near Vertical Jib

Available on certain models, the near vertical jib provides easier and more efficient work positioning at height.

## Foam Filled Tyres

Puncture proof foam filled tyres with rough terrain capability keep downtime to a minimum.

## Oscillating Axle

Improves balance and allows the machine to cope easily with curbs and uneven ground.

## Power to Platform (certain models)

Power to platform is provided via AC outlets in the cage. This enables the use of power tools and prevents hazards arising from trailing wires.

## Terrainability

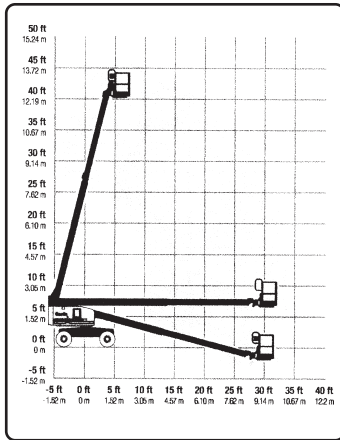
Four wheel drive for improved performance on rough and uneven ground.

## Fast Working

Fast boom movement and drive speed allows for quicker and more efficient working.

# Genie S40

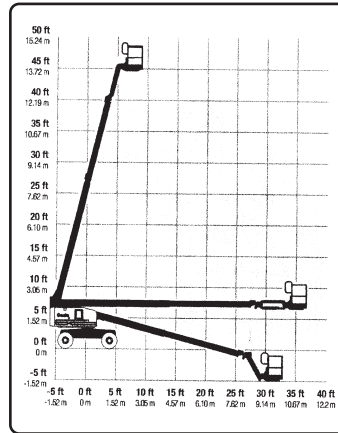
Straight Diesel  
Boom Lifts



Working Height	14.20m
Platform Height	12.20m
Platform Size	0.76m x 1.83m
Platform Capacity	227kg
Stowed Height	2.49m
Overall Length	7.39m
Overall Width	2.30m
Gross Weight	5284kg
Drive Speed Boom Raised	1.1km/h

# Genie S45

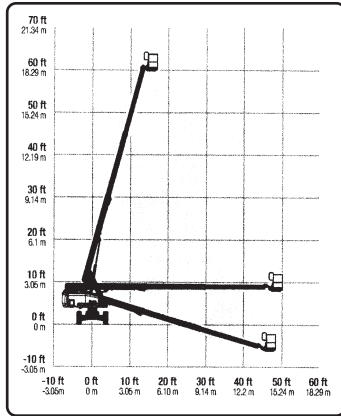
Straight Diesel  
Boom Lifts



Working Height	15.72m
Platform Height	13.72m
Platform Size	0.76m x 1.83m
Platform Capacity	227kg
Stowed Height	2.49m
Overall Length	8.48m
Overall Width	2.30m
Gross Weight	6709kg
Drive Speed Boom Raised	1.1km/h

# Genie S60

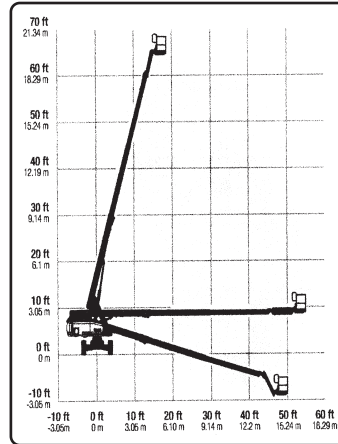
## Straight Diesel Boom Lifts



Working Height	20.30m
Platform Height	18.30m
Platform Size	0.76m x 1.83m
Platform Capacity	227kg
Stowed Height	2.72m
Overall Length	8.51m
Overall Width	2.49m
Gross Weight	9385kg
Drive Speed Boom Raised	1.1km/h

# Genie S65

## Straight Diesel Boom Lifts



Working Height	21.80m
Platform Height	19.80m
Platform Size	0.76m x 1.83m
Platform Capacity	227kg
Stowed Height	2.72m
Overall Length	9.50m
Overall Width	2.49m
Gross Weight	10,102kg
Drive Speed Boom Raised	1.1km/h

## Scaffolding

UK Access Solution's contracts division specialises in the provision of scaffolding to the construction, industrial and maintenance markets. A comprehensive equipment stock combined with a large motivated and well trained labour resource means that any size of project can be undertaken

The division specialises in the supply and erection of structures using traditional tube and fitting scaffolding or system scaffolding, chosen for their compatibility for each individual project. Scaffolding products are also available for hire or sale.

The safety of our employees, customers and members of the public is of paramount importance to UK Access. We have in place an extensive Health and Safety Policy managed by an autonomous safety Officer. The importance of safety is emphasised to all employees who are trained and supplied with safety information on joining and throughout their employment with the company.

UK Access Solutions has an extensive engineering resource with full design capability for all types of scaffolding including tube and fitting, system scaffolding and temporary roofs.



Our estimating department would be only pleased to provide technical and product assistance for your next project

## Aluminium Towers

This service has been structured to meet the requirements of clients who require FAST RESPONSE TIMES FOR SAFE ACCESS. UK Access Solutions are specialist in the erecting of alloy tower systems from simple tower systems through to more complex situations involving cantilevers and span decks. This service is ideal where a quick turnaround situation is required (sometimes next day service) or where a light scaffold structure is necessary

All operatives are PASMA trained and equipped with all necessary personal safety equipment to provide safe speedy access to satisfy clients demanding schedules.

UK Access Solutions can provide free, expert advice and survey, prompt quotations and risk assessments.



# Scaffold Equipment

UK Access Solutions offers a wide range of products for hire or sale. Extensive stocks are held at our branch network ensuring products are always available locally.



Scaffolding products are a key part of this service and the range includes Kwikstage system scaffolding and traditional tube and fitting together with other associated equipment.

## Hire and Erect

UK Access Solutions offers a Hire & Erect Service for all equipment hired or purchased.

## Real Hire and Sales Solutions

We offer tailored service solutions so that you get exactly what you want - every time. We believe that by becoming totally customer focused we will stand out from the crowd. Our aim is to make things easier for you. We will listen and respond to your needs. Every time you deal with us we will try to say yes.

# CONVERSION TABLE

METRES	FEET	METRES	FEET	METRES	FEET
1	3.3	16	52.5	31	101.7
2	6.6	17	55.8	32	105
3	9.8	18	59	33	108.2
4	13.1	19	62.3	34	111.5
5	16.4	20	65.6	35	114.8
6	19.7	21	68.9	36	118.1
7	23	22	72.2	37	121.4
8	26.2	23	75.4	38	124.6
9	29.5	24	78.7	39	127.9
10	32.8	25	82	40	131.2
11	36.1	26	85.3	41	134.5
12	39.4	27	88.6	42	137.8
13	42.6	28	91.8	43	141
14	45.9	29	95.1	44	144.3
15	49.2	30	98.4	45	147.6



**UK ACCESS SOLUTIONS LTD**

1 Bilport Lane, Wednesbury,  
West Midlands WS10 0NT

Telephone: **0121 500 5055**

Facsimile: **0121 525 5873**

email: **hiredesk@ukaccess.uk.com**

**www.ukaccessolutions.co.uk**



Accredited Contractor



NATIONAL ACCESS &  
SCAFFOLDING CONFEDERATION

